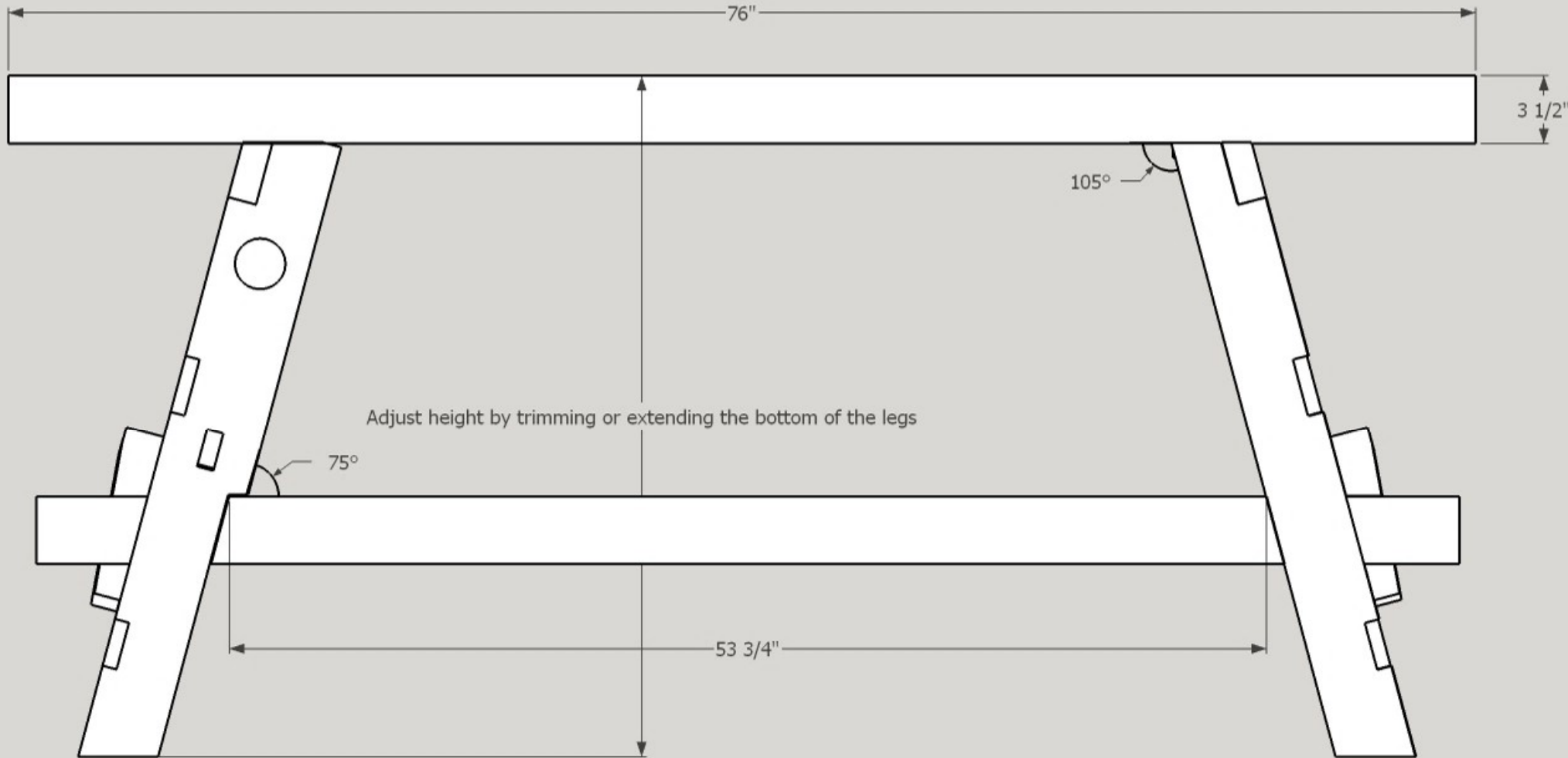
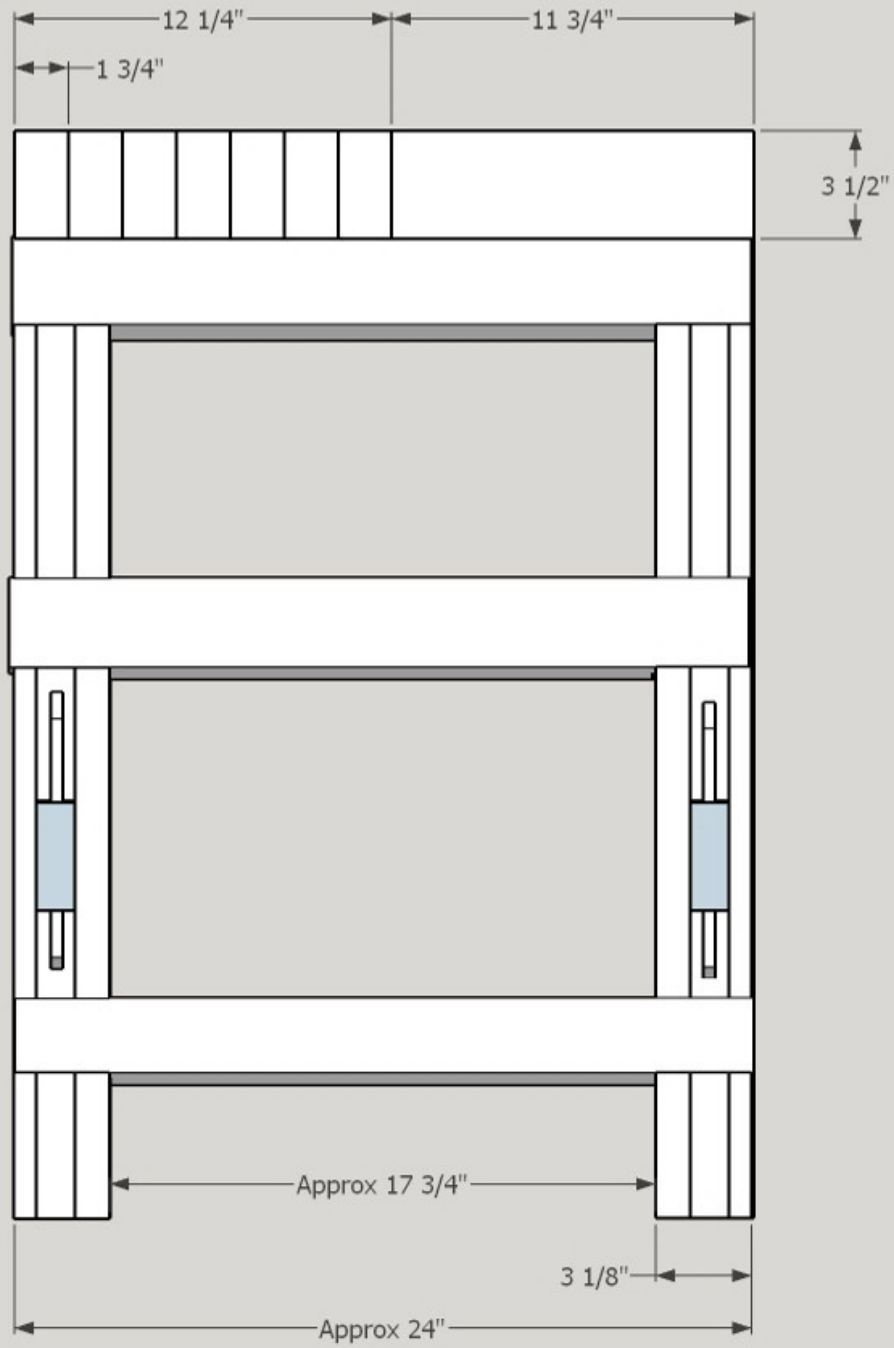


FRONT VIEW



SIDE VIEW



BASE ASSEMBLY

Long Stretcher Slat - Middle

Leg Slat 4" - Outside

Leg Slat 4" - Middle

Long Stretcher Slat - Inside & Outside

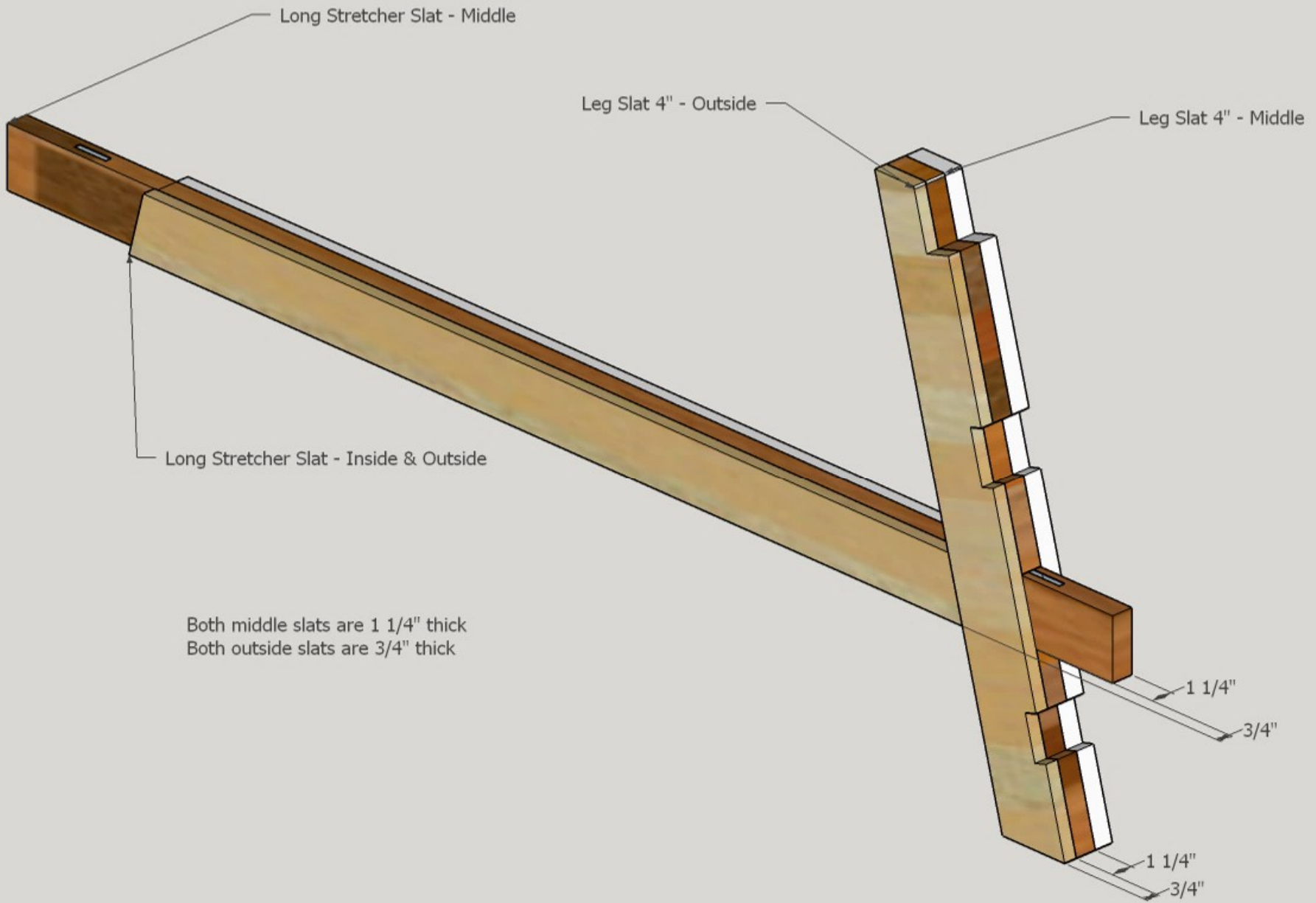
Both middle slats are 1 1/4" thick
Both outside slats are 3/4" thick

1 1/4"

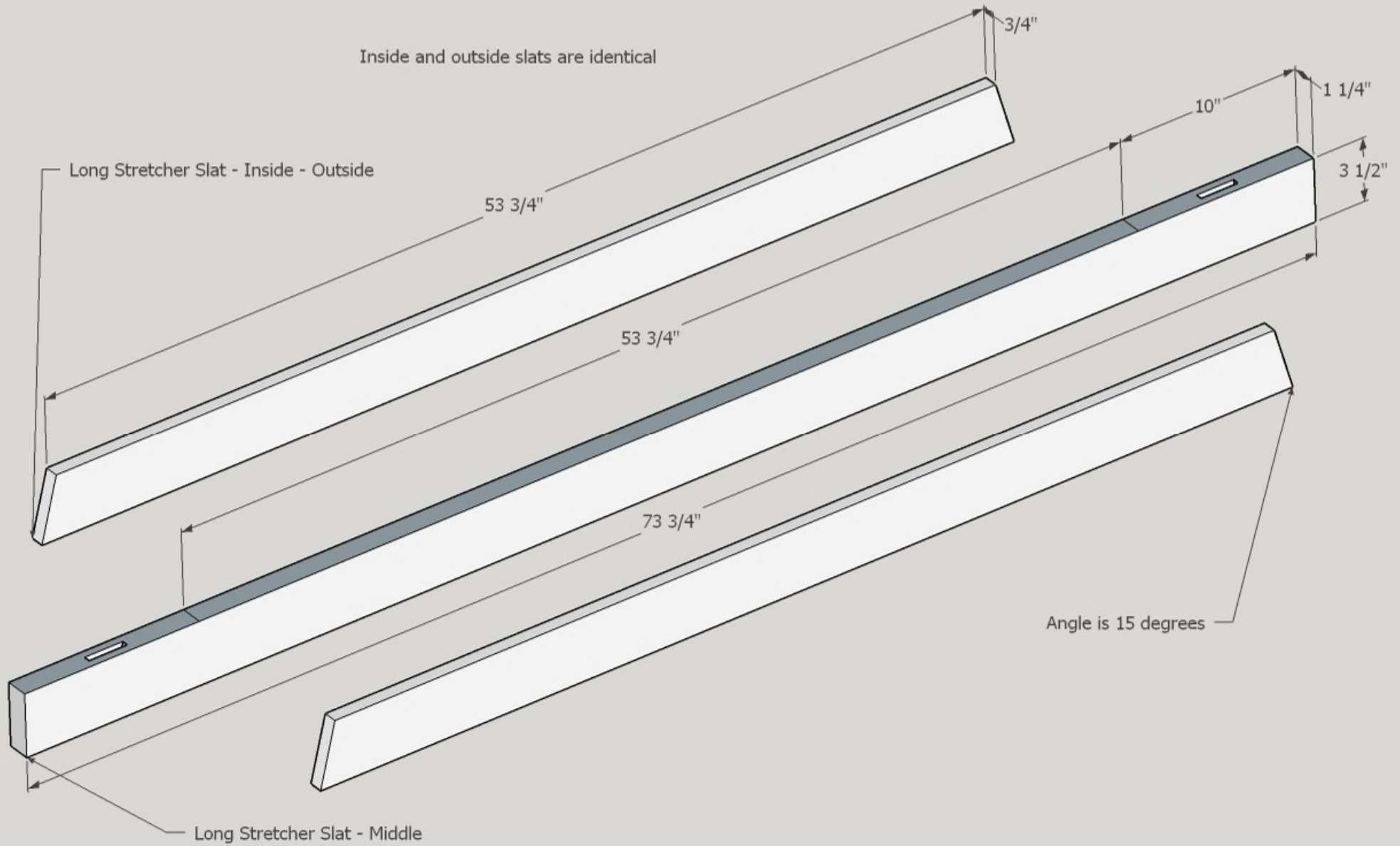
3/4"

1 1/4"

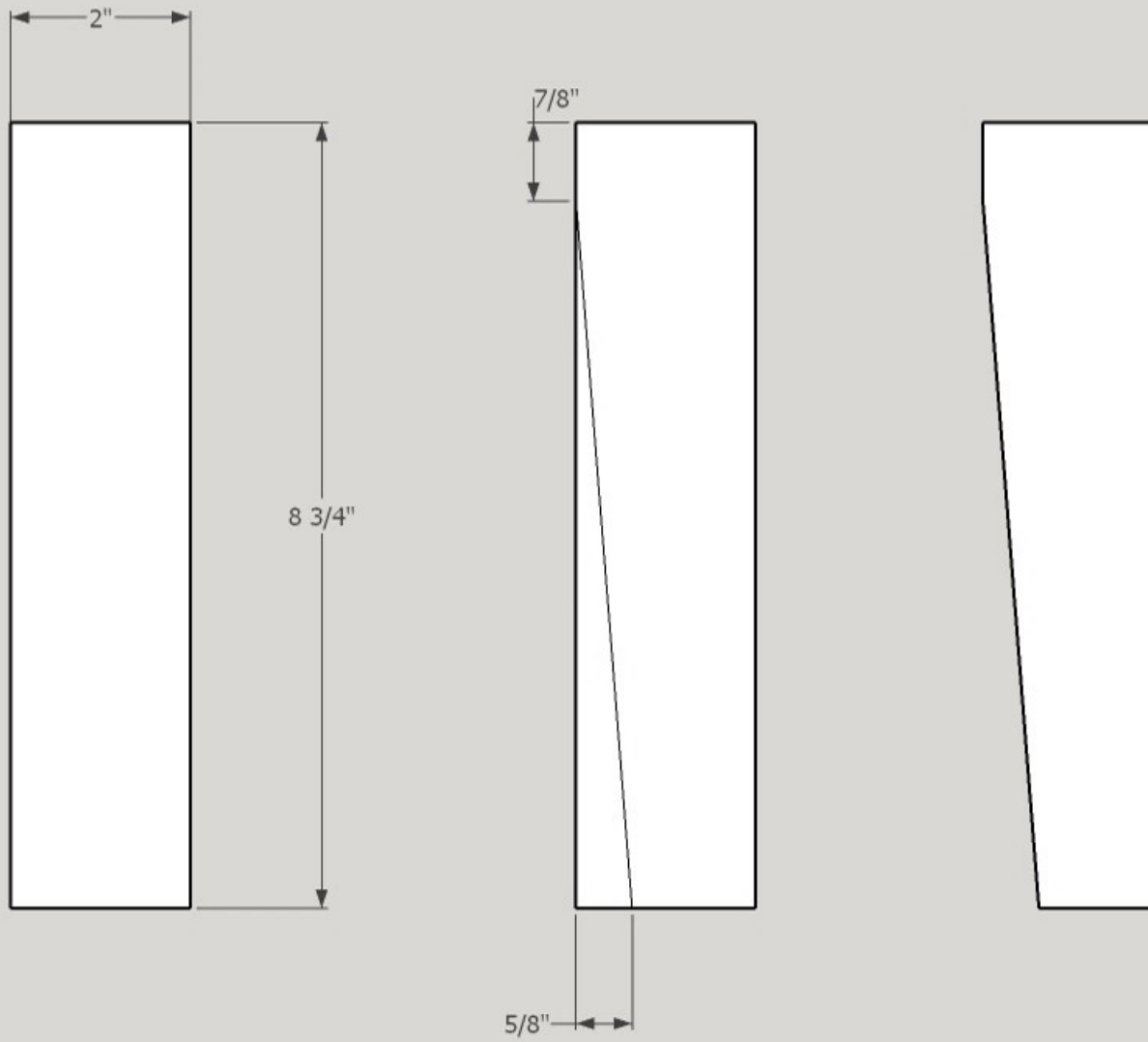
3/4"



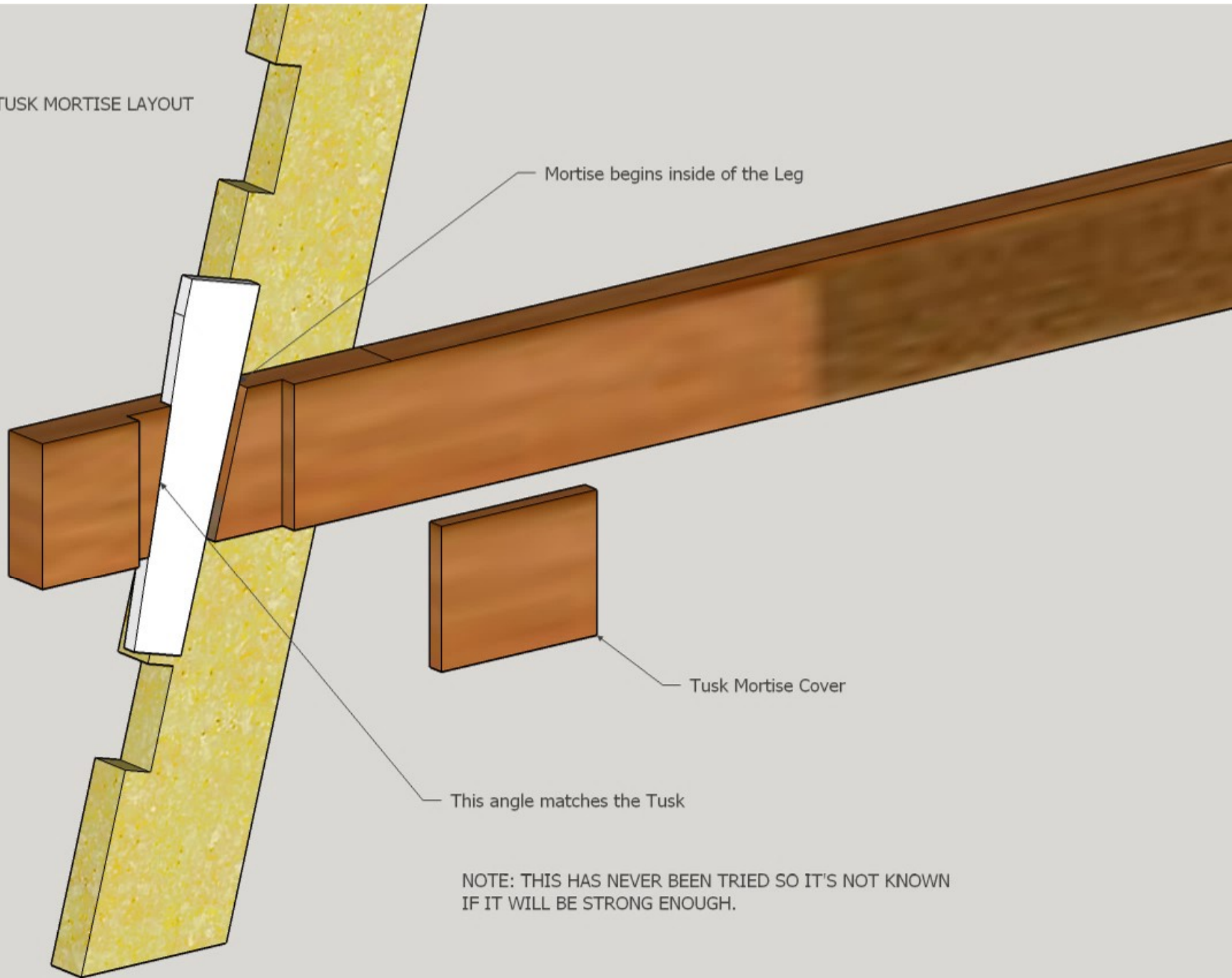
LONG STRETCHERS



TUSK LAYOUT



ALTERNATIVE TUSK MORTISE LAYOUT



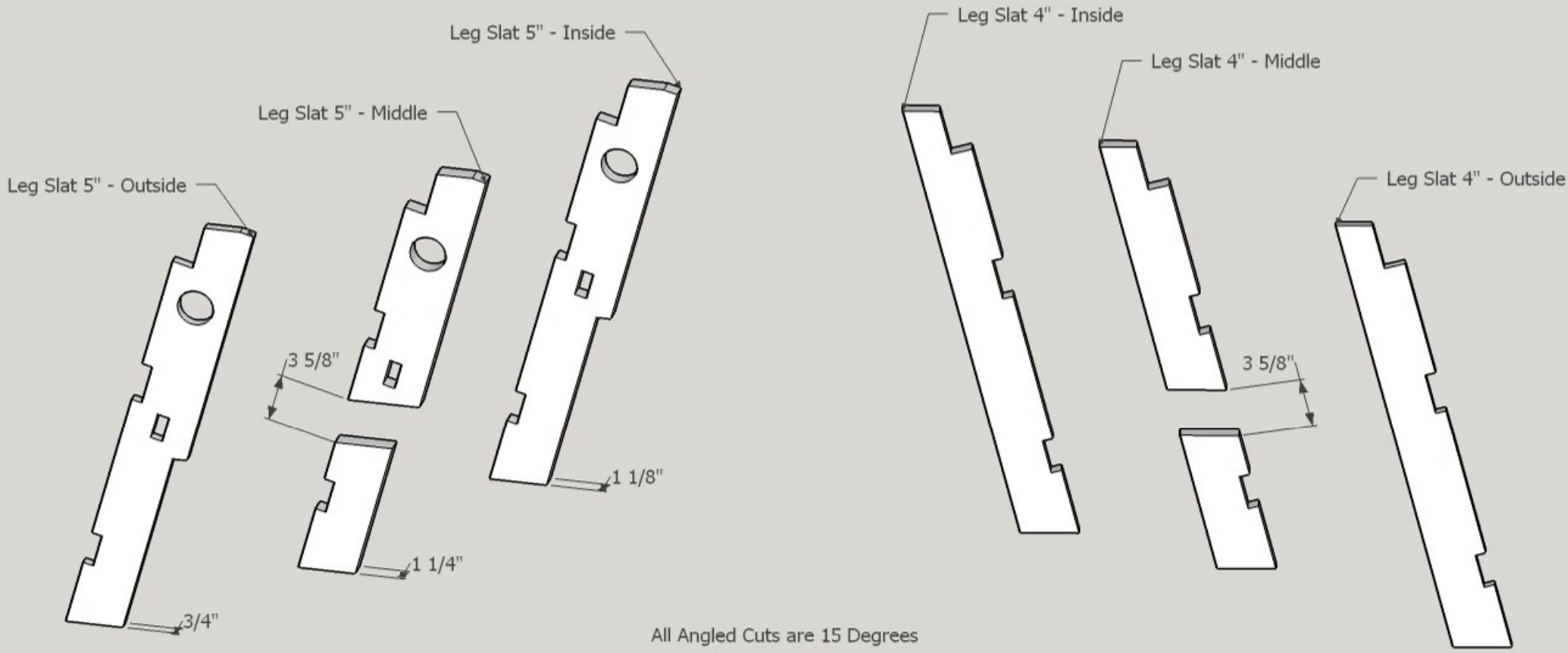
Mortise begins inside of the Leg

Tusk Mortise Cover

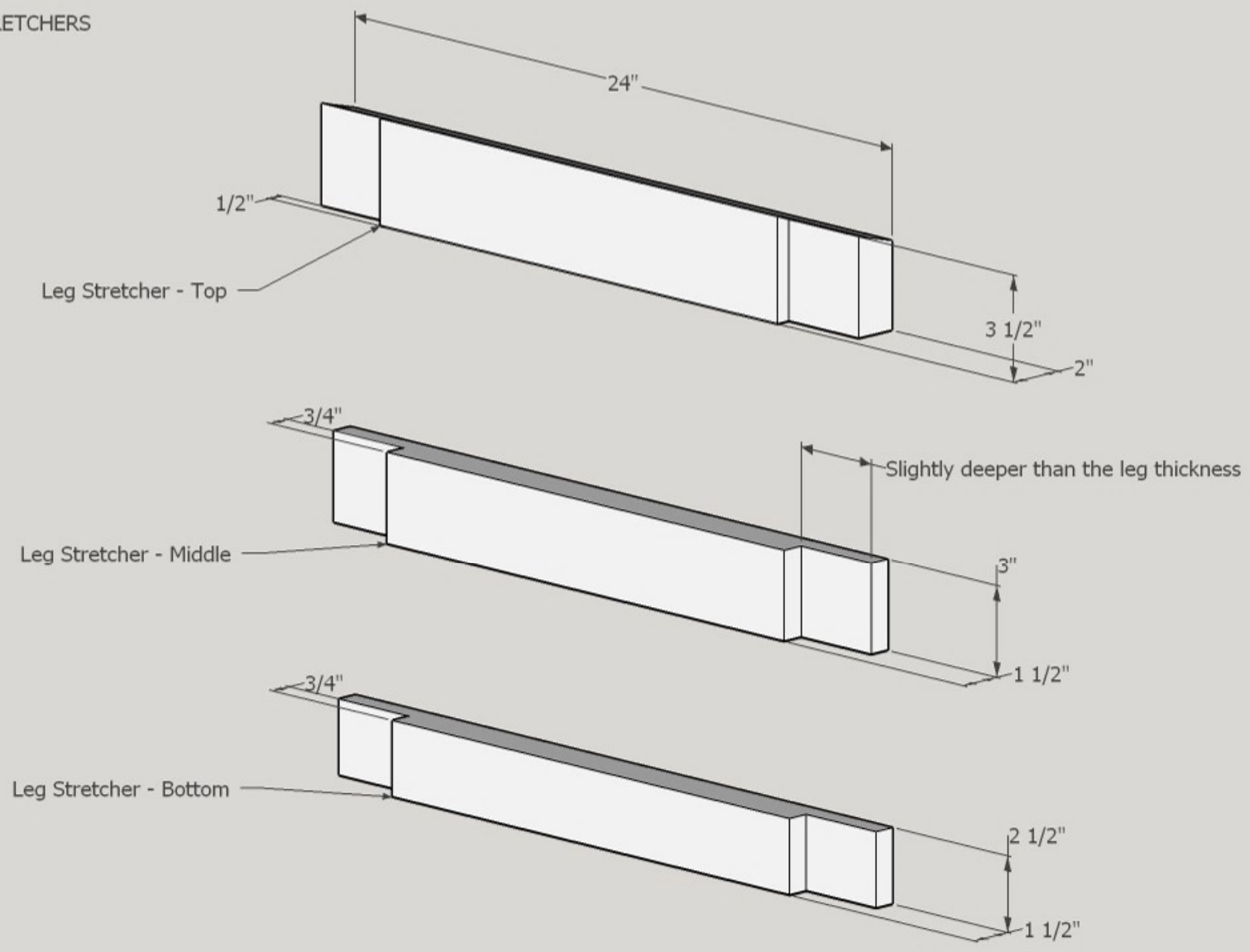
This angle matches the Tusk

NOTE: THIS HAS NEVER BEEN TRIED SO IT'S NOT KNOWN IF IT WILL BE STRONG ENOUGH.

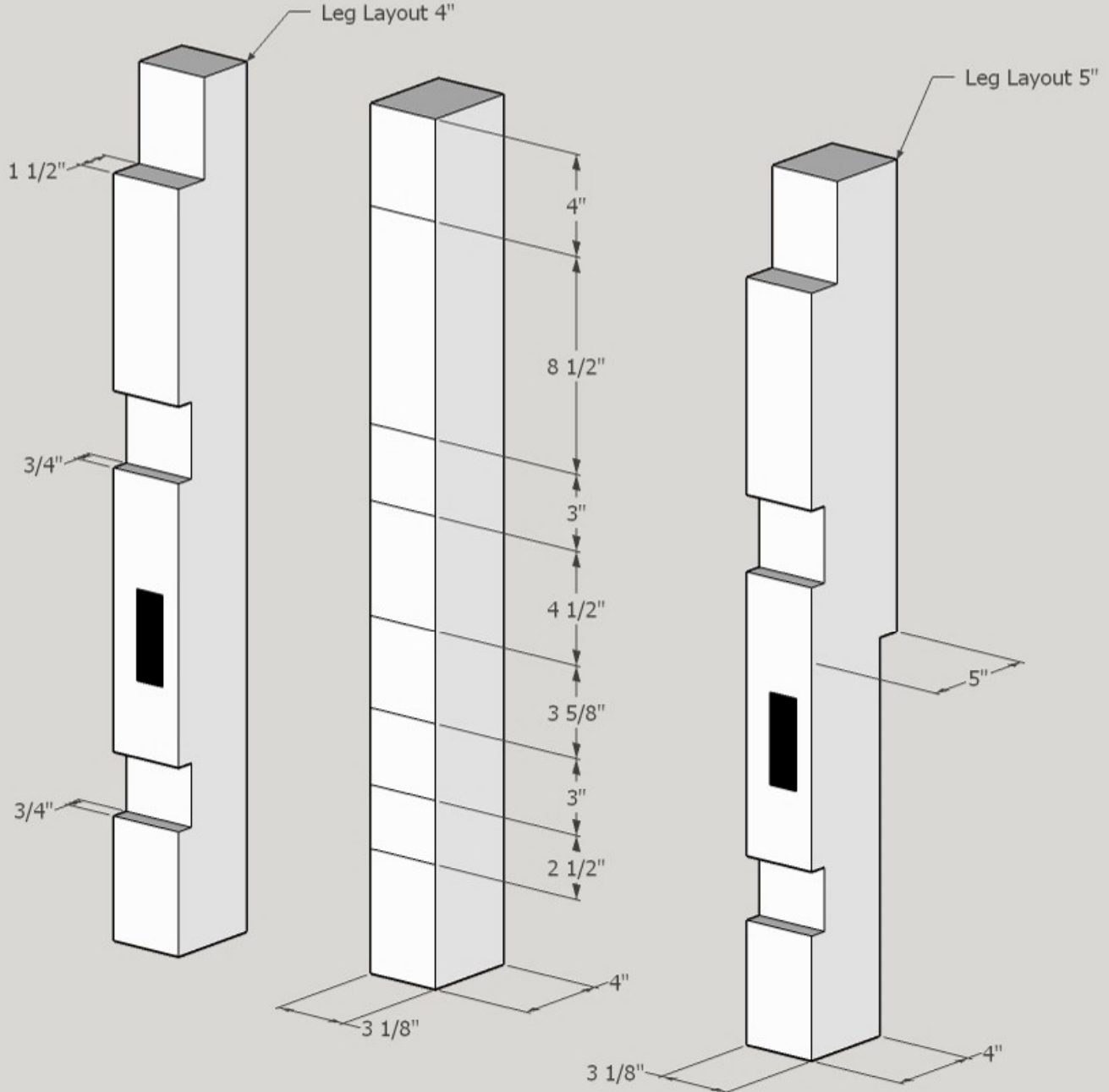
LEGS EXPLODED



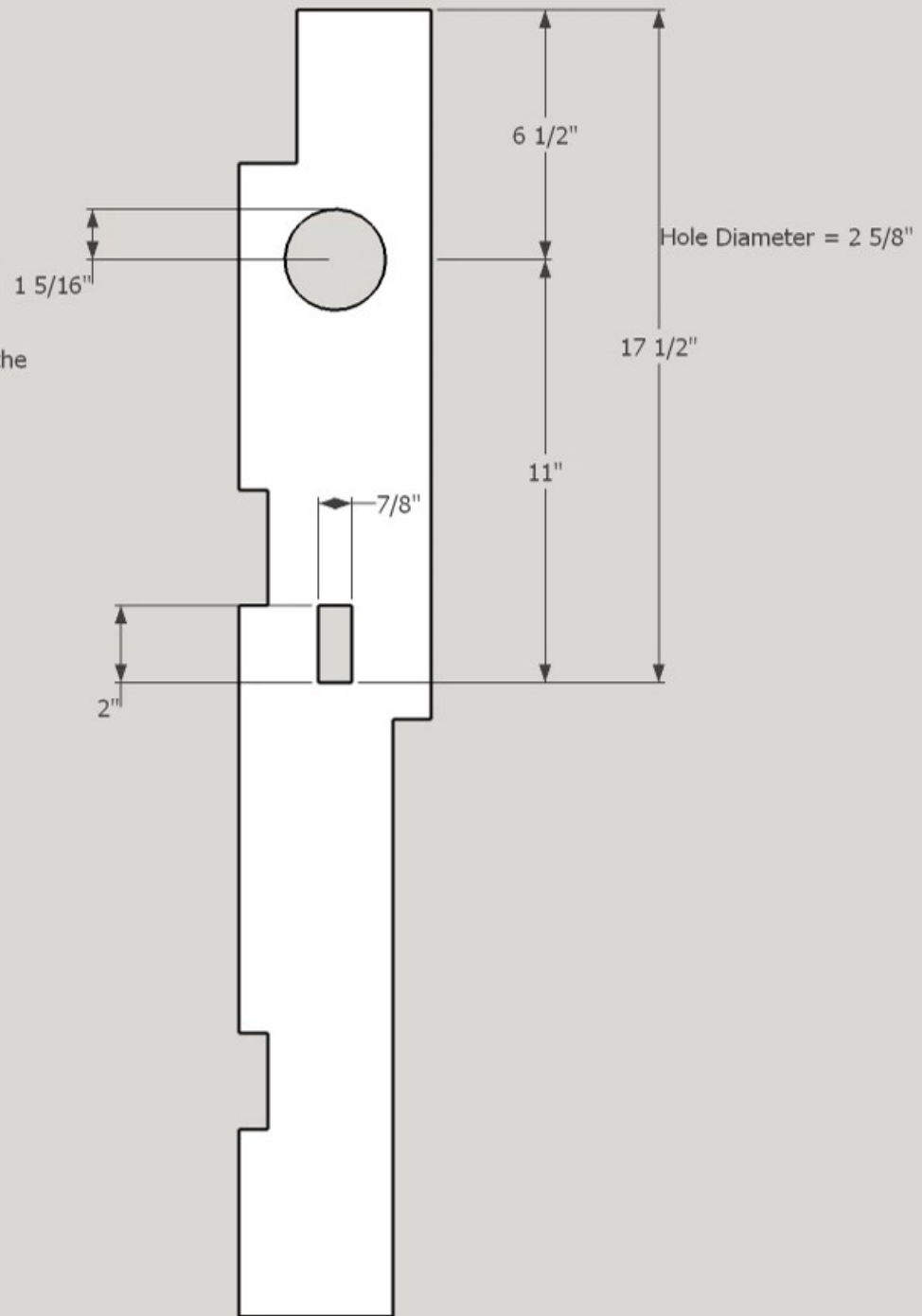
LEG STRETCHERS



LEG LAYOUT



WISE LEG LAYOUT



Note: On the original bench, the vise is not mounted on the leg. This is a variation.

TOOL TRAY

